

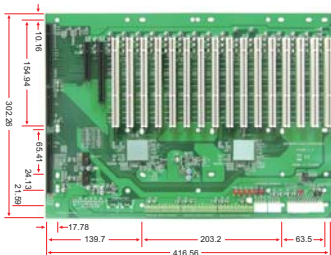
# PICMG Backplane

## PICMG 1.3 Selection Guide

Model		PCIEx16	PCIEx8	PCIEx4	PCIEx1	PCI-X	PCI	ROBO-8921VG2R	ROBO-8914VG2AR	ROBO-8913VG2AR	ROBO-8912VG2AR
Server Grade	PBPE-19AG64	1 (x8 signal)	1 (x4 signal)			16		✱			
	PBPE-14AD64		1	1		8	3	✱			
	PBPE-06V464			1		4		✱			
	PBPE-08P41	2 (x8 signal)	1 (x4 signal)				4	✱			
	PBPE-06A364	2 (x8 signal)				2	1	✱			
	PBPE-06P2	2 (x8 signal)	1 (x4 signal)				2	✱			
Non-Server Grade	PBPE-13A8	1			3		8	✱	✱	✱	✱
	PBPE-12A9	1	1 (x4 signal)				9	✱	✱	✱	✱
	PBPE-12AA64	1				8	2	✱	✱	✱	✱
	PBPE-06V3	1	1 (x4 signal)				3	✱	✱	✱	✱
	PBPE-06V	1			4			✱	✱	✱	✱
	PBPE-07P4	1		1			4	✱	✱	✱	✱
	PBPE-05A364	1				2	1	✱	✱	✱	✱
	PBPE-06P4		1 (x4 signal)				4	✱	✱	✱	✱
PBPE-06P3	1		1			3	✱	✱	✱	✱	

## PICMG 1.3 BACKPLANE

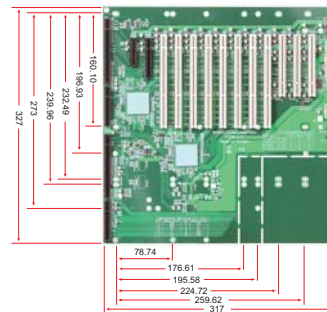
### Server Grade Backplane



#### PBPE-19AG64

19-slot [PCI-E x16 (1, x8 signal), PCI-E x8 (1, x4 signal), PCI-X (16)]

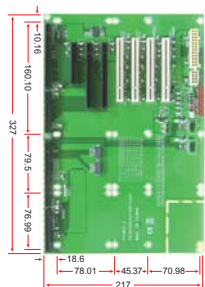
- Fit for 4U up chassis
- Four PCI-X buses support 16 PCI-X expansion slots



#### PBPE-14AD64

14-slot [PCI-E x4 (1), PCI-E x8 (1), PCI-X (8), PCI (3)]

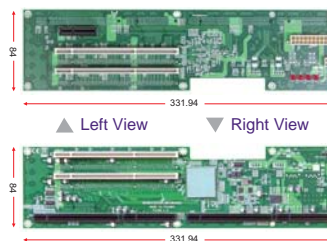
- Fit for 4U chassis
- Four PCI-X buses support eight PCI-X expansion slots



#### PBPE-08P41

8-slot [PCI-E x8 (1, x4 signal), PCI-E x16 (2, x8 signal), PCI (4)]

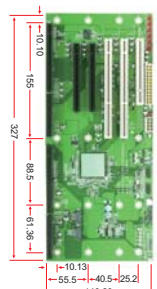
- Fit for Node chassis
- Four USB ports



#### PBPE-06V464

Vertical 6-slot [PCI-E x4 (1), PCI-X (4)]

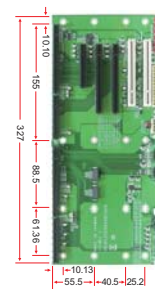
- Fit for 2U chassis
- Dual PCI-X buses support four PCI-X slots



#### PBPE-06A364

6-slot [PCI-E x16 (2, x8 signal), PCI-X (2), PCI (1)]

- Fit for Node chassis
- Four USB ports
- Dual SATA ports
- Two PCI-X buses support two PCI-X expansion slot



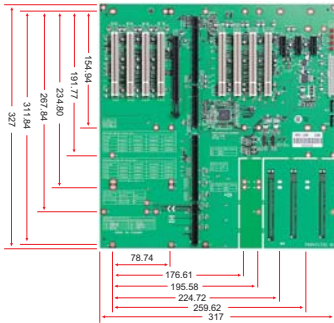
#### PBPE-06P2

6-slot [PCI-E x8 (1, x4 signal), PCI-E x16 (2, x8 signal), PCI (2)]

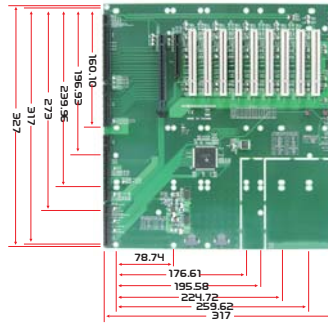
- Fit for Node chassis
- Four USB ports

# PICMG Backplane

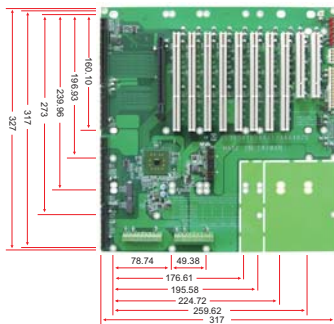
## Non-Server Grade Backplane



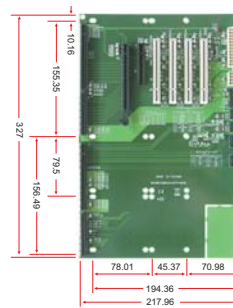
**PBPE-13A8**  
**13-slot [PCI-E x1 (3), PCI-E x16 (1), PCI (8)]**  
 - Fit for 4U chassis  
 - Four USB ports  
 - Dual SATA ports  
 - 24-pin ESP12V power connector



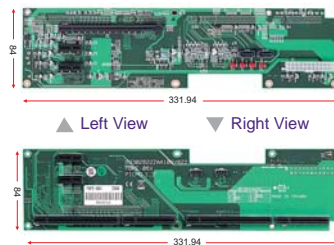
**PBPE-12A9**  
**12-slot [PCI-E x16 (1), PCI-E x8 (1), x4 signal), PCI (9)]**  
 - Fit for 4U chassis  
 - Four USB ports  
 - Dual SATA ports



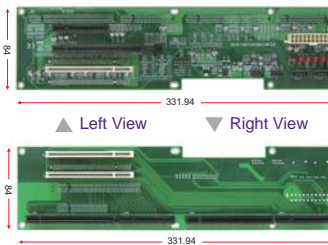
**PBPE-12AA64**  
**12-slot [PCI-X (8), PCI-E x16 (1), PCI (2)]**  
 - Fit for 4U chassis  
 - Four USB ports  
 - Dual SATA ports  
 - Two PCI-X buses support eight PCI-X expansion slot



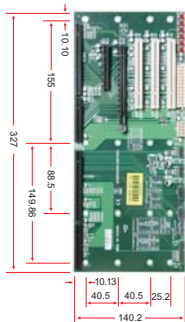
**PBPE-07P4**  
**7-slot [PCI-E x4 (1), PCI-E x16 (1), PCI (4)]**  
 - Fit for Node chassis  
 - Four USB ports  
 - Dual SATA ports



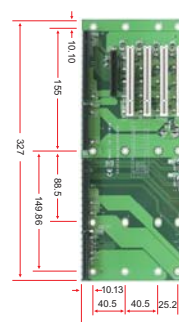
**PBPE-06V**  
**Vertical 6-slot [PCI-E x1 (4), PCI-E x16 (1)]**  
 - Fit for 2U chassis  
 - Four USB ports  
 - Dual SATA ports  
 - 24-pin ESP 12V power connector



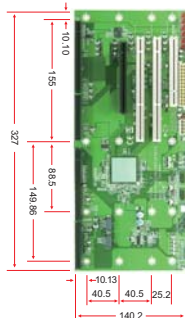
**PBPE-06V3**  
**Vertical 6-slot [PCI-E x8 (1, x4 signal), PCI-E x16 (1), PCI (3)]**  
 - Fit for 2U chassis  
 - Four USB ports  
 - Dual SATA ports



**PBPE-06P3**  
**6-slot [PCI-E x16 (1), PCI-E x4 (1), PCI (3)]**  
 - Fit for Node chassis  
 - Four USB ports  
 - Dual SATA ports



**PBPE-06P4**  
**6-slot [PCI-E x8 (1, x4 signal), PCI (4)]**  
 - Fit for Node chassis  
 - Four USB ports  
 - Dual SATA ports



**PBPE-05A364**  
**5-slot [PCI-E x16 (1), PCI-X (2), PCI (1)]**  
 - Fit for Node chassis  
 - Four USB ports  
 - Dual SATA ports  
 - Two PCI-X buses support two PCI-X expansion slot