

# PARD-S071TW

7" Fanless and Rugged Panel PC



PARD-S071TW is the stylish compact and fanless small Panel PC leverage best cost and performance ratio of Intel® Ultra Low voltage Celeron® M Processor as its computing engine, feature variety I/O

interface such as Touch screen, 1x 10/100 Fast Ethernet, 4x USB, 2x Serial ports & 1 x Audio In/Out capability. It meets most requirement of Interactive client like HMI, Automation.

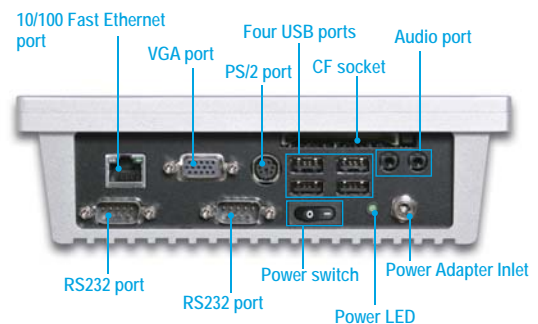
## FEATURES

- 7" 16:9 WQVGA LTPS TFT
- Built-in Wireless function support
- Built-in 4-wire Resistive Touch screen and Compact Flash access Function
- Touch Screen and Compact Flash Card Support
- Aluminum front panel meet with IP65 certification
- XP Embedded and WinCE.net Support

CPU	Ultra Low Voltage Intel® Celeron® 1G MHz with Zero L2 Cache processor
Chipset	Intel® 852GM & ICH4
Memory	Up to 1GB DDR 200/266/333 SDRAM on one 200pin SODIMM
Solid State Disk	Compact Flash type II up to 32GB
VGA	Intel® 852GM Mobile optimized graphic controller
Ethernet	Intel® 82562 10/100 Ethernet
Audio	Audio 97 2.2 Codec
I/O	- 2x RS232 port - 4x USB 2.0 port - 1x Lin-out, 1x MIC port - 1x VGA port - 1x Ethernet port - 1 x PS/2 port - 1 x CF socket
Touch screen	4-wire Resistive Touch
LCD	- Size: 7" - Resolution: 800x480 - Brightness: 200 cd/m <sup>2</sup> - Contrast Ratio: 300:1 - Backlight MTBF: 20000 hrs
Expansion function	Wireless 802.11 b/g
Operation Temp.	0-45°C degree
Storage Temp.	-20-80°C degree
Relative Humidity	5-95%, non-condensing
Weight	1.3Kg

Dimensions	199(w) x 140(H) x 60(D)mm
Mouting	VESA 75x75
Power Supply	DC 12V Input
Front Panel Protection	IP65 Compliant
Certificate	CE/FCC

## REAR I/O



## ORDERING GUIDE

- **PARD-S071**  
Basic 7" panel PC
- **PARD-S071T**  
7" panel PC with touch function
- **PARD-S071TW**  
7" panel PC with wireless and touch function