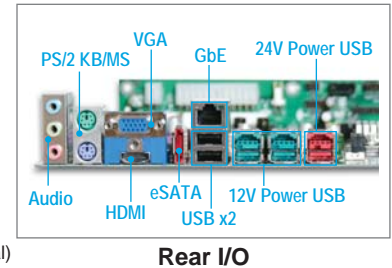
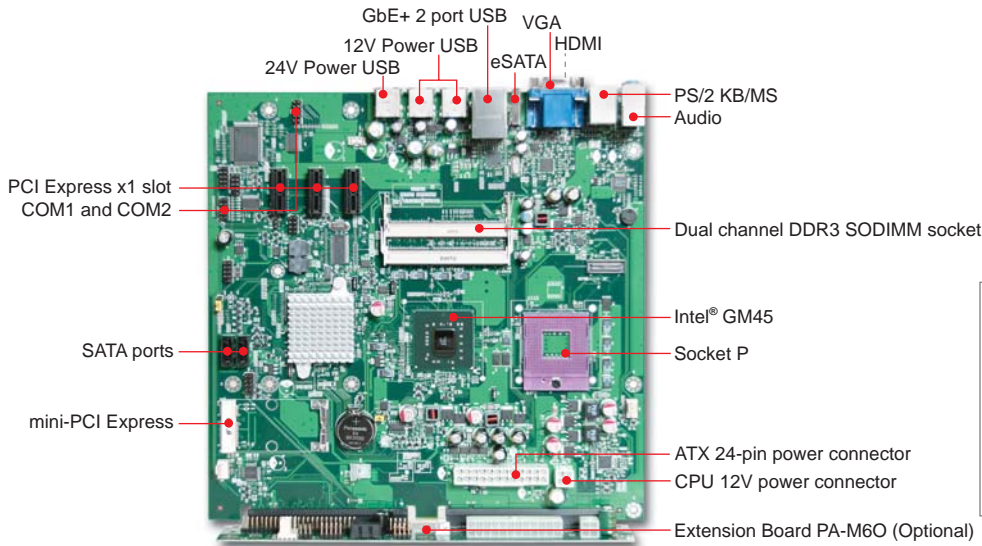


PEB-9737VGA

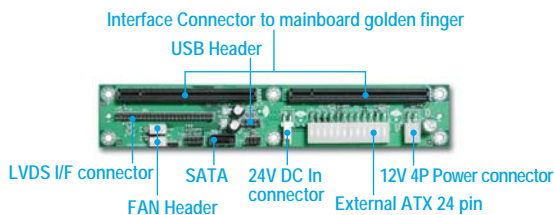
Intel® GM45 platform based POS board with DDR3 SODIMM, VGA, Gigabit Ethernet, Audio, USB, Power USB and eSATA



FEATURES

- Supports Intel® Mobile Core™ 2 Duo processor and Celeron® M 575 and 585 CPU
- Latest DDR3 Technology with lower working voltage and higher density for more and more memory requirement
- HDMI port brings cost effective and easy to use for large size LCD TV connection with multimedia applications
- On board Power USB connector (12V and 24V) brings flexible and easy use of POS peripheral connections
- On board mini-PCI Express connector for platform wireless solution connection

Extension Board (Optional)



ORDERING GUIDE

Standard	PEB-9737VGA Intel® GM45 based Micro-ATX with DDR3 SDRAM, VGA, Gigabit Ethernet, Audio, Power USB and eSATA
Optional	PA-M6O Power Source connection, LVDS, SATA and USB extension board

- * Specifications are subject to change without notice.
- * Pentium® M and Celeron® M processor are registered trademarks of Intel® Corporation.
- * Other trademarks, logo, brands and company names are the property of their respective owner.

GENERAL

Processor	CPU & Package: Intel® Mobil Core™ 2 Duo, Celeron® M 575/585 processor in the Socket-P package FSB: 1066/800/667MHz
Chipset/Core Logic	Intel® GM45 and ICH9M-E
System Memory	Up to 8GB DDR3 1066/800 SDRAM on dual SODIMM socket
BIOS	AMI
Storage Devices	- EIDE: N/A - SATA: Support two SATA 300 drives - eSATA: Support one eSATA port
Solid State Disk	N/A
Watchdog Timer	Programmable via software from 0.5 sec. to 254.5 min.
Expansion Interface	Proprietary Golden Finger for External SATA and LVDS signals connection
Hardware Monitoring	System monitoring (fan, temperature and voltage)
Power Requirement	TBA
Dimension	Dimension: 243.8(L) x 243.8 (W) mm; 9.6"(L) x 9.6"(W) PCB: 6-layer
Environment	Operating Temperature: 0 to 55°C Storage Temperature: -20 to 80°C Relative Humidity: 5% to 90%, non-condensing
MTBF	TBA

I/O

MIO	Two serial (RS232 x2)
IrDA	N/A
Ethernet Interface	- Single 10BASE-T/100BASE-TX/1000BASE-T Ethernet - PCI Express x1 interface based Gigabit Ethernet - Single RJ-45 connector with two LED indicators
Audio	HDA interface 5.1
USB	- Two 12V Power USB Connector - One 24V Power USB Connector - Two USB Port on pin header
Keyboard & Mouse	PS/2 keyboard and mouse

DISPLAY

Graphic Controller	- GMCH integrated Intel® Graphics Media Accelerator (Intel® 4500MHD) - Onboard dual independent display VGA/HDMI and LVDS
--------------------	--



Portwell, Inc. (Headquarters)
4F, No. 186, Jian-Yi Rd., Chung-Ho City, 235 Taipei, Taiwan
Tel: +886-2-77318888
Fax: +886-2-82271109
E-mail: info@portwell.com.tw
http://www.portwell.com.tw

American Portwell
Fremont CA Tel: +1-510-403-3399
Norcross GA Tel: +1-678-969-9808
E-mail: info@portwell.com
http://www.portwell.com

Portwell Japan, Inc.
Tokyo Tel: +81-3-5298-8071
Osaka Tel: +81-6-4807-7721
E-mail: info@portwell.co.jp
http://www.portwell.co.jp

Beijing Portwell
Beijing Tel: +86-10-82701616
Shanghai Tel: +86-21-3222-0505
Shenzhen Tel: +86-755-8621-7695
E-mail: info@portwell.com.cn
http://www.portwell.com.cn

Portwell-Laxsons India
Tel: +91-22-2685-9911
E-mail: info@portwellaxsons.com
http://www.portwellaxsons.com

Portwell, B.V.
Tel: +31-252-620790
E-mail: info@portwell.nl
http://www.portwell.nl

Portwell (UK) Ltd.
Tel: +44(0)1235-750760
E-mail: info@portwell.co.uk
http://www.portwell.co.uk